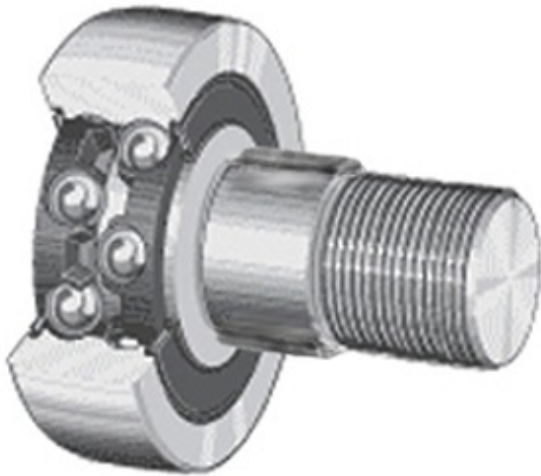




BEARING CORP.OF AMERICA

OSBORN LOAD RUNNERS HPCE-35 Cam Follower and Track Roller - Stud Type



HPCE-35 Bearing 2D drawings and 3D CAD models

Bearing No. HPCE-35

Category	Cam Follower and Track Roller - Stud Type
Inventory	0.0
Manufacturer Name	OSBORN
Minimum Buy Quantity	N/A
Weight	0.2
Product Group	B04120
Roller Surface Profile	Flat
Profile	Stud Type
Thread Size	M16X1.5
Stud Profile	Standard Stud with Eccentric Bushing
Enclosure	Sealed
Rolling Element	Ball Bearing - Double Row
Relubricatable	No
Hex Socket	Yes
Inch - Metric	Metric
Long Description	35MM Roller Diameter; 22MM Roller Width; Flat Roller Surface; Stud Type; 16MM Stud Diameter; M16X1.5 Thread; Standard Stud with Eccentric Bushing; Sealed; Ball Bearing - Double Row; Not Relubricatable
Category	Cam Followers Stud Type
UNSPSC	31171530



BEARING CORP.OF AMERICA

Harmonized Tariff Code	8482.10.50.68
Noun	Bearing
Keyword String	Cam Follower
Manufacturer URL	http://www.osborn.com
Manufacturer Item Number	HPCE-35
Manufacturer Internal Number	97381
Weight / LBS	0.441
Stud Diameter	0.63 Inch 16 Millimeter
Roller Width	0.866 Inch 22 Millimeter
Roller Diameter	1.378 Inch 35 Millimeter