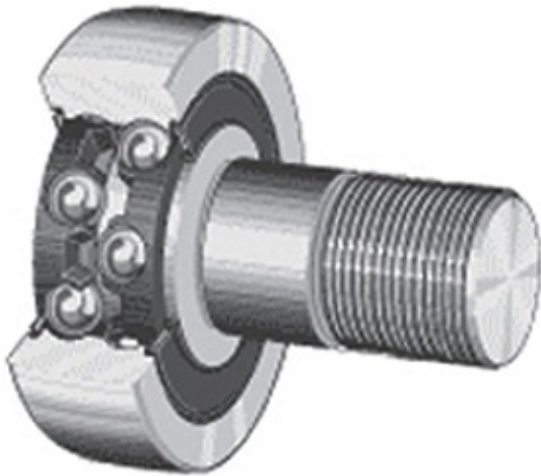




# BEARING CORP.OF AMERICA

## OSBORN LOAD RUNNERS PLRU-1 Cam Follower and Track Roller - Stud Type



PLRU-1 Bearing 2D drawings and 3D CAD models

Bearing No. PLRU-1

Category	Cam Follower and Track Roller - Stud Type
Inventory	0.0
Manufacturer Name	OSBORN
Minimum Buy Quantity	N/A
Weight	0.09
Product Group	B04120
Roller Surface Profile	Flat
Profile	Stud Type
Thread Size	7/16-20
Stud Profile	Standard Stud
Enclosure	Sealed
Rolling Element	Ball Bearing - Double Row
Relubricatable	No
Hex Socket	Yes
Inch - Metric	Inch
Other Features	Impact Resistant   Urethane Tread   Reduced Track Wear
Long Description	1" Roller Diameter; 25/32" Roller Width; Flat Roller Surface; Stud Type; 7/16" Stud Diameter; 7/16-20 Thread; Standard Stud; Sealed; Ball Bearing - Double Row; Not Relubricatable; Hex S
Category	Cam Followers Stud Type



## BEARING CORP.OF AMERICA

UNSPSC	31171530
Harmonized Tariff Code	8482.10.50.68
Noun	Bearing
Keyword String	Cam Follower
Manufacturer URL	<a href="http://www.osborn.com">http://www.osborn.com</a>
Manufacturer Item Number	PLRU-1
Manufacturer Internal Number	97744
Weight / LBS	0.2
Roller Width	0.781 Inch   19.837 Millimeter
Stud Diameter	0.438 Inch   11.125 Millimeter
Roller Diameter	1 Inch   25.4 Millimeter