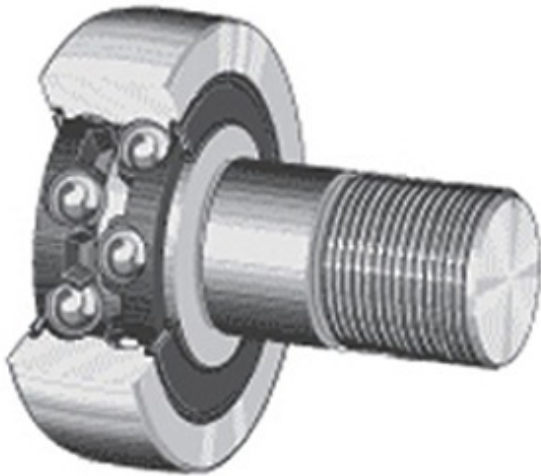




# BEARING CORP.OF AMERICA

## OSBORN LOAD RUNNERS PLRS-1-3/4 Cam Follower and Track Roller - Stud Type



PLRS-1-3/4 Bearing 2D drawings and 3D CAD models

Bearing No. PLRS-1-3/4

|                        |   |
|------------------------|---|
| Category               | Cam Follower and Track Roller - Stud Type   |
| Inventory              | 0.0   |
| Manufacturer Name      | OSBORN  |
| Minimum Buy Quantity   | N/A   |
| Weight                 | 0.363   |
| Product Group          | B04120  |
| Roller Surface Profile | Flat  |
| Profile                | Stud Type   |
| Thread Size            | 3/4-16  |
| Stud Profile           | Standard Stud   |
| Enclosure              | Sealed  |
| Rolling Element        | Ball Bearing - Double Row   |
| Relubricatable         | No  |
| Hex Socket             | Yes   |
| Inch - Metric          | Inch  |
| Other Features         | Corrosion Resistant   Stainless Steel Tread   |
| Long Description       | 1-3/4" Roller Diameter; 1-3/16" Roller Width; Flat Roller Surface; Stud Type; 3/4" Stud Diameter; 3/4-16 Thread; Standard Stud; Sealed; Ball Bearing - Double Row; Not Relubricatable; He |
| Category               | Cam Followers Stud Type   |
| UNSPSC                 | 31171530  |
|                        |   |



## BEARING CORP.OF AMERICA

|                              |   |
|------------------------------|---|
| Harmonized Tariff Code       | 8482.10.50.68   |
| Noun                         | Bearing   |
| Keyword String               | Cam Follower  |
| Manufacturer URL             | <a href="http://www.osborn.com">http://www.osborn.com</a> |
| Manufacturer Item Number     | PLRS-1 3/4  |
| Manufacturer Internal Number | 90341   |
| Weight / LBS                 | 0.8   |
| Roller Diameter              | 1.75 Inch   44.45 Millimeter                              |
| Roller Width                 | 1.188 Inch   30.175 Millimeter                            |
| Stud Diameter                | 0.75 Inch   19.05 Millimeter                              |